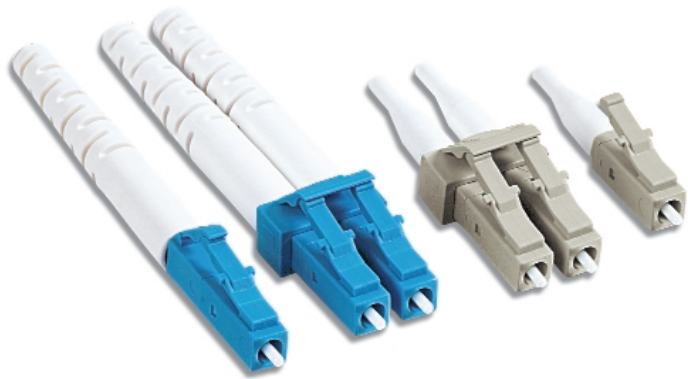


LC (SFF) SMALL FORM FACTOR CONNECTORS



The LC connector was developed to meet the growing demand for a high performance connector that is small, low cost and provides enhanced transmission characteristics over other connector offerings. The innovative LC design offers a form factor one-half the size of current industry standard connectors, providing a space savings of 50% throughout the network without any sacrifice in performance. Borrowing features from the user friendly and familiar RJ-45 telephone plug, the LC connector is pull-proof and has outstanding mechanical load performance. Designed to deliver repeatable performance and improved reliability, the LC connector is built around a 1.25mm ceramic ferrule, which is capable of meeting the stringent demands for low insertion loss and low back reflectance in network systems. The Stratos Lightwave LC connector family is compatible with SYSTIMAX® and ExchangeMAX® applications.

Benefits

- Field installable
- Tunable, optimizes insertion loss
- Compact size, increases port density
- High performance
- Cable types (900um, 1.6mm, 2.0mm, 3.0mm)

Features

- Singlemode & Multimode (50/125, 62.5/125)
- RJ-45 style latching system
- Simplex and Duplex configurations
- Keyed for optical alignment
- Color coded

Applications

- Telecom
- Datacom
- CATV/Broadband
- LAN
- WAN
- Active & Passive Device Termination
- Premise Installation

Materials

- **Body:** Thermoplastic: SM-Blue MM-Beige APC-Green
- **Boot:** Thermoplastic: White
- **Crimp Sleeve:** Copper, Tin-Plated
- **Ferrule:** SM-Zirconia Ceramic MM-Zirconia Ceramic

Performance

	Multimode	Singlemode
• Nominal Fiber OD	125um	125um
• Insertion Loss (Typical)	<0.1dB	<0.2dB
• Return Loss (Max)	-20dB	-50dB

Cable Retention

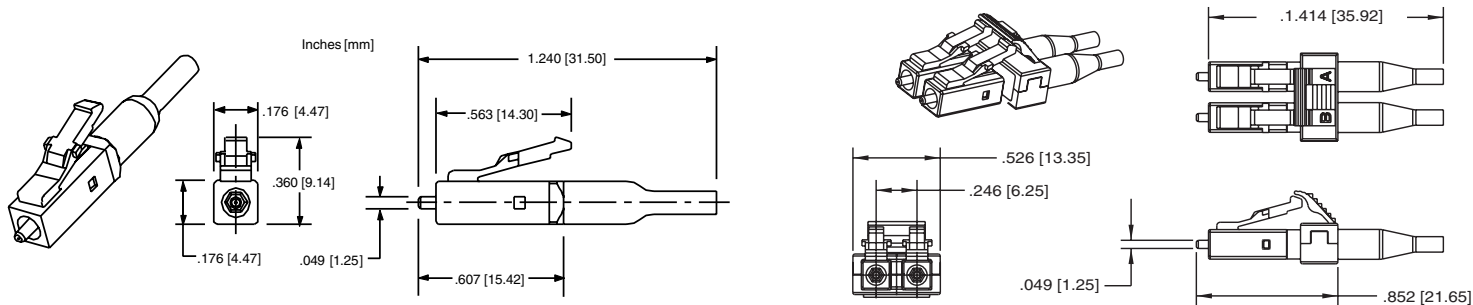
• BTW	.2 lbs. (8.9N)	.2 lbs. (8.9N)
• Patchcord	.20 lbs. (88.9N)	.20 lbs. (88.9N)
• Mating Durability (500cycles)	<0.2dB	<0.2dB
• Temperature Stability (-40°C to +85°C)	<0.3dB	<0.3dB
• Ferrule Material	Ceramic	Ceramic

SYSTIMAX® and ExchangeMAX® are Trademarks of Lucent Technologies, Inc.

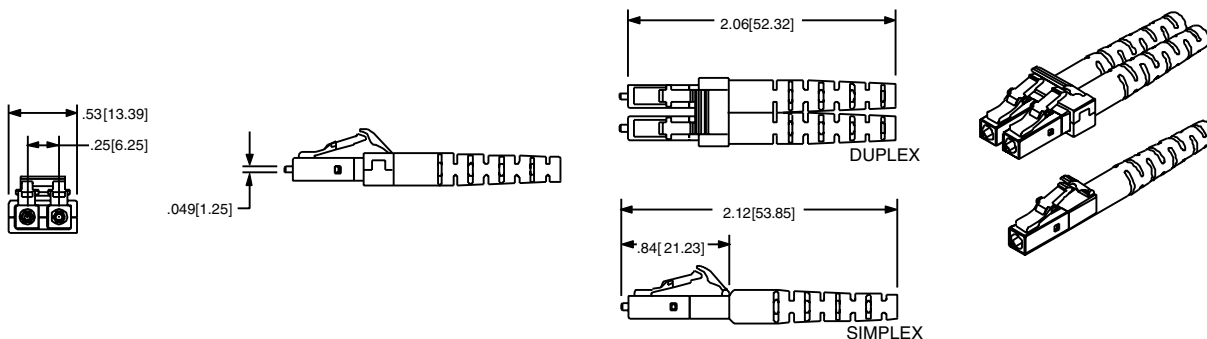


Innovation Brought To Light

LC (SFF) SMALL FORM FACTOR CONNECTORS



LC Simplex and Duplex BTW



LC Simplex and Duplex Patchcord

Ordering Information

Part Description	Ferrule	Body Color	Boot Color	Part Number
<u>LC BTW (Behind The Wall) Connector</u>				
Singlemode, simplex	Ceramic	Blue	White	LC3-010-1
Singlemode, duplex	Ceramic	Blue	White	LC3-030-1
Multimode, simplex	Ceramic	Beige	White	LC3-210-3
Multimode, duplex	Ceramic	Beige	White	LC3-230-3
<u>LC Patchcord Connector</u>				
Singlemode, simplex	Ceramic	Blue	White	LC3-020-1
Singlemode, duplex	Ceramic	Blue	White	LC3-040-1
Multimode, simplex	Ceramic	Beige	White	LC3-220-3
Multimode, duplex	Ceramic	Beige	White	LC3-240-3
<u>Accessories</u>				
90° strain relief boot	N/A	N/A	White	115-2006-6
Universal tool kit (no oven)	N/A	N/A	N/A	900-118-3008
Universal tool kit (110V oven)	N/A	N/A	N/A	900-118-3010
Universal tool kit (220V oven)	N/A	N/A	N/A	900-118-3014
MM ceramic consumables kit (Completes 500 terminations)	N/A	N/A	N/A	900-118-9017
SM Super PC consumables kit (Completes 500 terminations)	N/A	N/A	N/A	900-118-9020

Please add suffix "-B" to indicate bulk packaging. Bulk packaging is in 100 piece units.
 SYSTIMAX® and ExchangeMAX® are Trademarks of Lucent Technologies, Inc.

Company Contact Information

North America

7444 W. Wilson Avenue
 Chicago, IL 60706
 (708) 867-9600 Fax:(708) 867-9621
 (800) 323-6858
 www.stratoslightwave.com

Europe

Hollands Road Industrial Estate
 Haverhill, Suffolk CB9 8PR
 United Kingdom
 +44 (0) 1440 706441
 Fax: +44 (0) 1440 762044



Innovation Brought To Light